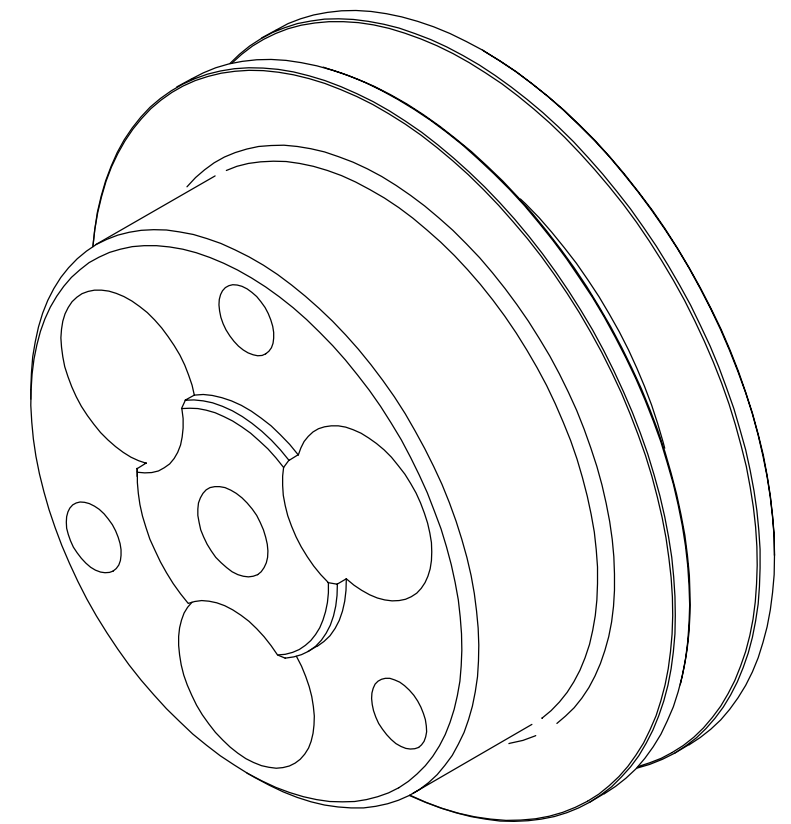


DETAIL A



NOTE: 1) MAKE FROM 6061-T6
 2) REMOVE BURRS AND BREAK SHARP EDGES

UNLESS OTHERWISE SPECIFIED
 ALL DIMENSIONS ARE IN INCHES
 AND TOLERANCES ARE:

XX .03
 .XXX .010
 .XXXX .001

FLEXPLATE ADAPTER
 CORVAIR TO SENTRA
